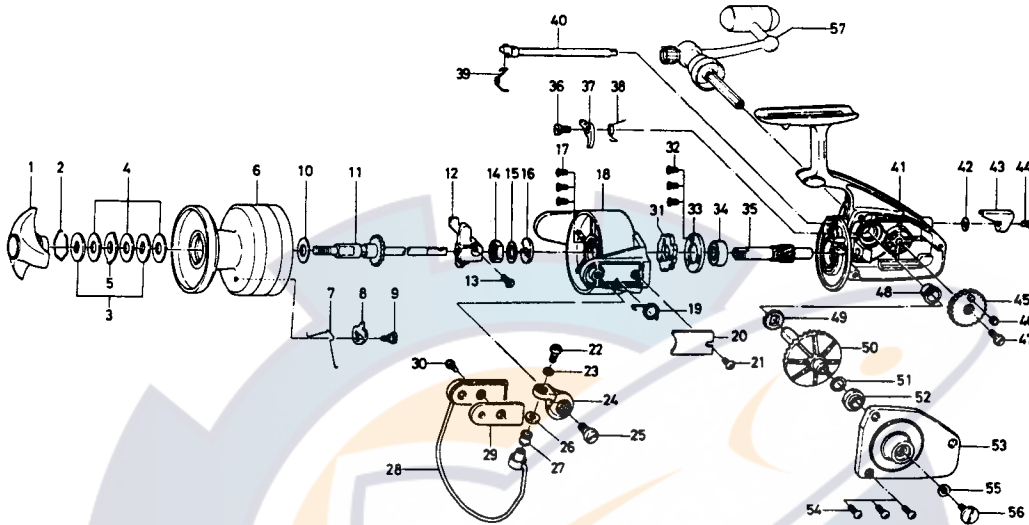


SPINNING REEL 9000C



Key No.	Parts No.	Parts Name	Key No.	Parts No.	Parts Name
1	6-003-1805	Drag knob	30	6-351-6101	Bail holder screw
2	6-170-4101	Drag washer retainer	31	6-280-4001	Ratchet
3	6-372-3711	Drag D washer	32	6-351-8901	Ball bearing ret. washer screw
4	6-372-3003	Disc washer	33	6-633-1101	Ball bearing ret. washer
5	6-372-3832	Drag A washer	34	6-635-5001	Ball bearing
6	6-B23-0601	Spool	35	6-B26-3201	Pinion gear
7	6-143-6411	Spool click claw spring	36	6-361-6901	Anti-reverse claw screw
8	6-030-4001	Spool click claw	37	6-110-6011	Anti-reverse claw
9	6-361-9801	Spool click claw screw	38	6-142-0301	Anti-reverse claw spring
10	6-372-9601	Spool washer	39	6-142-3511	Anti-reverse cam spring
11	6-003-1931	Main shaft	40	6-003-2131	Anti-reverse cam
12	6-480-5221	Oscillating slider	41	6-003-2431	Body
13	6-351-9001	Oscillating slider screw	42	6-373-2700	Anti-reverse lever washer
14	6-B10-5701	Rotor nut	43	6-540-5801	Anti-reverse lever
15	6-160-1712	Rotor washer	44	6-351-1801	Anti-reverse lever screw
16	6-372-9301	Rotor retaining washer	45	6-411-7111	Oscillating gear
17	6-351-8901	Ratchet screw	46	6-120-9301	Oscillating collar
18	6-200-8503	Rotor	47	6-361-7301	Oscillating gear screw
19	6-142-0201	Bail spring	48	6-501-6201	Bearing metal A
20	6-633-1311	Bail spring cover	49	6-401-1701	Oscillating pinion
21	6-351-6101	Bail spring cover screw	50	6-B26-3301	Drive gear
22	6-363-3111	Bail screw	51	6-371-2800	Drive gear washer
23	6-375-1101	Bail washer	52	6-501-6101	Bearing metal B
24	6-B21-7601	Arm lever	53	6-003-4217	Body cover
25	6-B21-7701	Arm lever screw	54	6-351-8801	Body cover screw
26	6-501-2001	Roller collar	55	6-372-3501	Handle washer
27	6-250-4501	Line roller	56	6-B40-9401	Handle screw
28	6-725-6901	Bail	57	6-B31-8602	Handle
29	6-210-2901	Balancer			